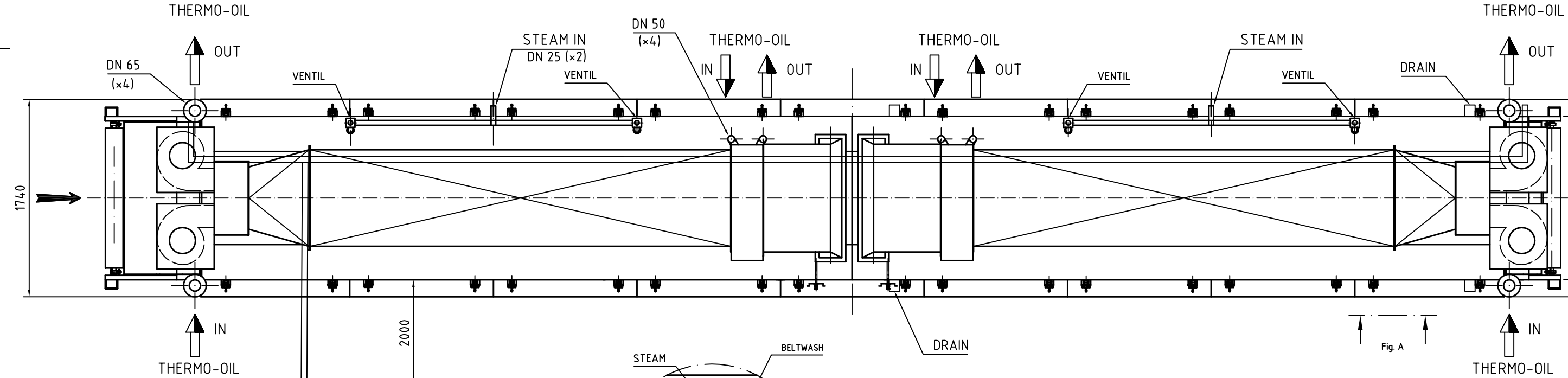
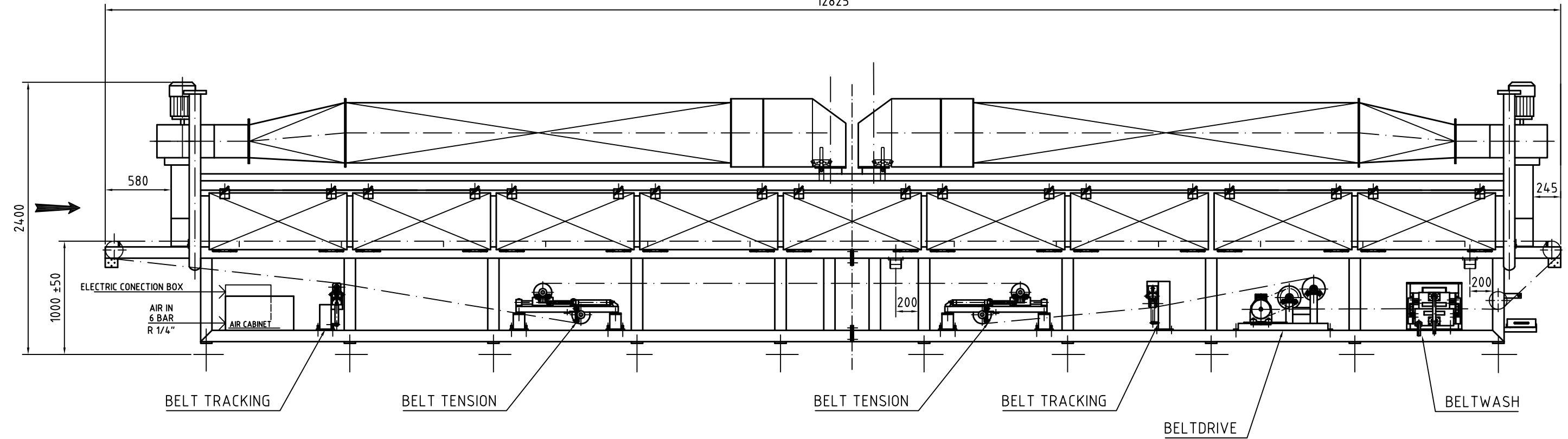
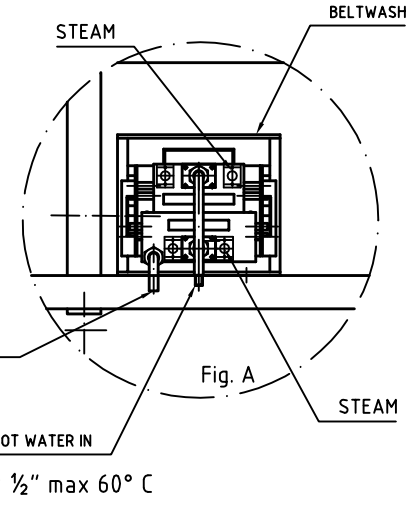


| Nr | Ant | Ändring | Datum | Inf. | Godk. |
|----|-----|-----------------|----------|-------|-------|
| 1 | | FETTRÄNNOR INF. | 99-06-04 | Bruer | |
| 2 | | MODIFIERAD | 99-08-25 | Bruer | |

12825



ELECTRIC CABINET
1200x400x1800



| Def.nr | Ant. | Benämning | | Material | Mod.nr ämne | Anmärkning | |
|----------|-------|-----------|--------|----------------|-------------|------------------------|-----------|
| Konstr. | Ritad | Mod. | Kontr. | Godk. | Skala | Ersätter | Ersatt av |
| | Bruer | | | A2 | 1:25 | | |
| FORMCOOK | | | | COMBI 12110 TF | | Filnamn Datum 99-05-17 | |
| | | | | LAY-OUT | | Ritn.nr 99-044 | Blad 1:1 |
| | | | | | | Rev. 2 | |

Unless otherwise stated all tolerances should be according to SS-2768-1. Class Medium

This drawing remains the exclusive property of FORMCOOK AB. It may not, without FORMCOOK's prior written consent, be utilized or copied, reproduced, transmitted or communicated to a third party.

FORMCOOK AB Helsingborg, SWEDEN